

swiss solar

E N G I N E E R E D I N S W I T Z E R L A N D



S-FIX

Ballasted Mounting System **BLACK EDITION**

For flat roof 10° | Tilt S and E-W orientation

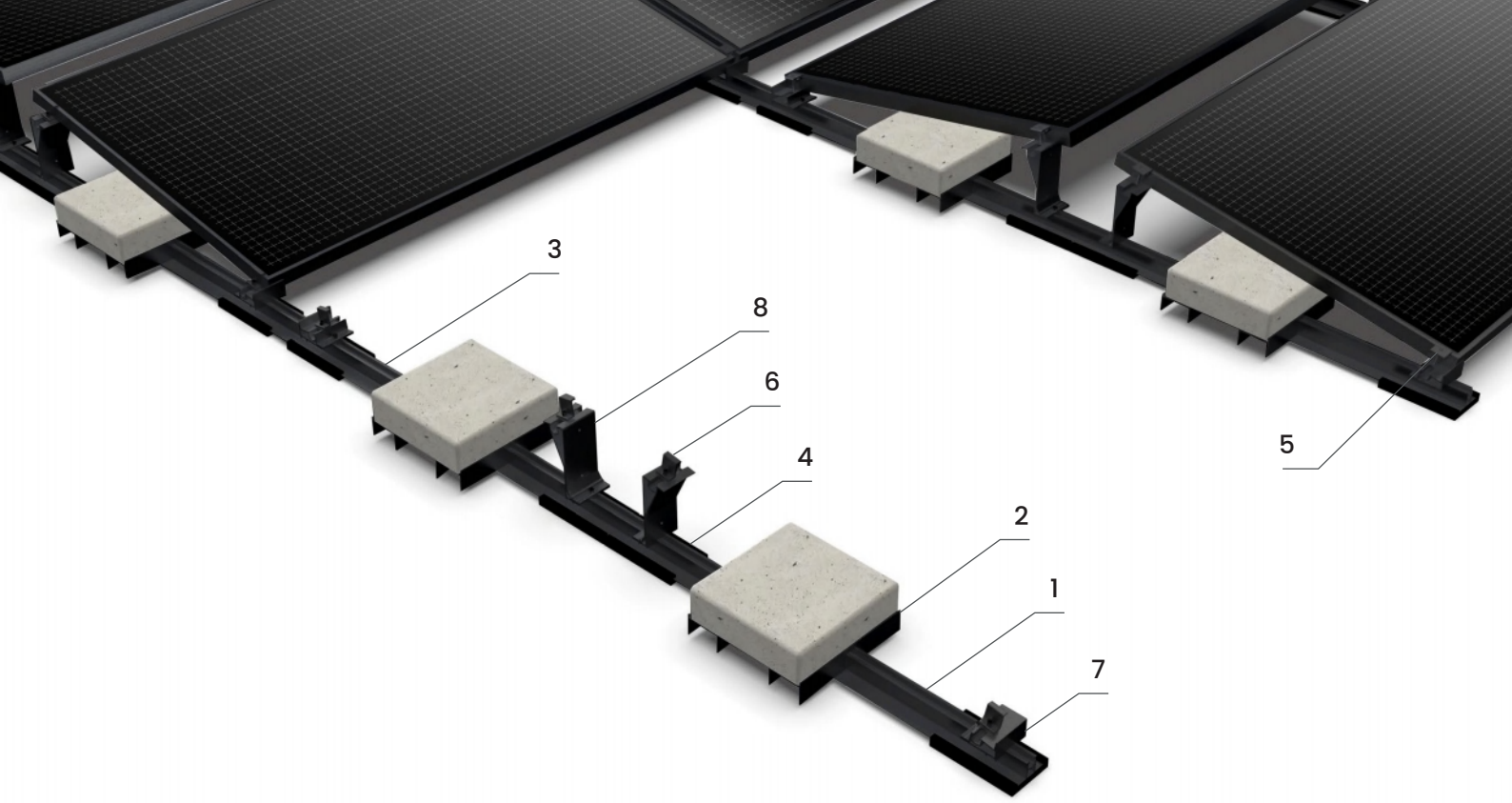


> S-FIX EW-BS-10D

- Maximal area utilized
- Maximal PV quantity installed
- S-FIX is for solar installed on a flat roof, for maximized roof space utilized, and PV quantity installed.
- All parts are made of extruded aluminum, with stainless steel 304 fasteners
- EPDM foam tape is installed at the bottom of the system, separated the roof and system.
- EPDM foam tape provides better friction, and compensates for the height difference when the roof is uneven.

TECHNICALFEATURES:

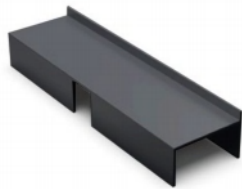
Product name	S-FIX-EW-BS-10D
Application	Flat roof
Tilt	10°
System Material	extruded aluminum profile 6005 T5
Fastener material	Stainelss steel 304
Finish	Anodized
Module orientation	Landscape



> Components



1
S-FIX-MRL BLACK



2
S-FIX-SW2-BT BLACK



3
S-FIX-CMRL BLACK



4
S-FIX-SW2-RB



5
S-FIX-ICK BLACK



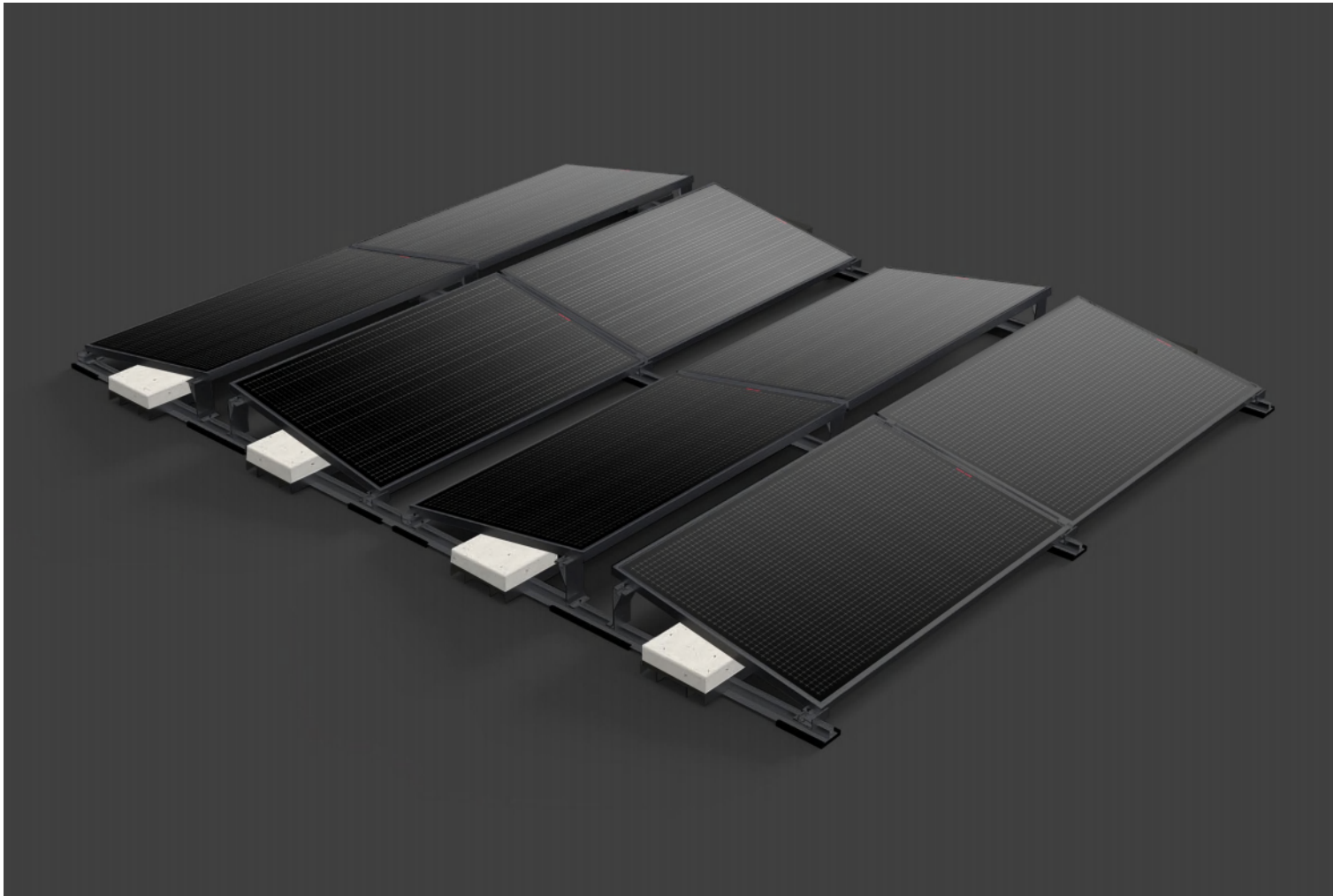
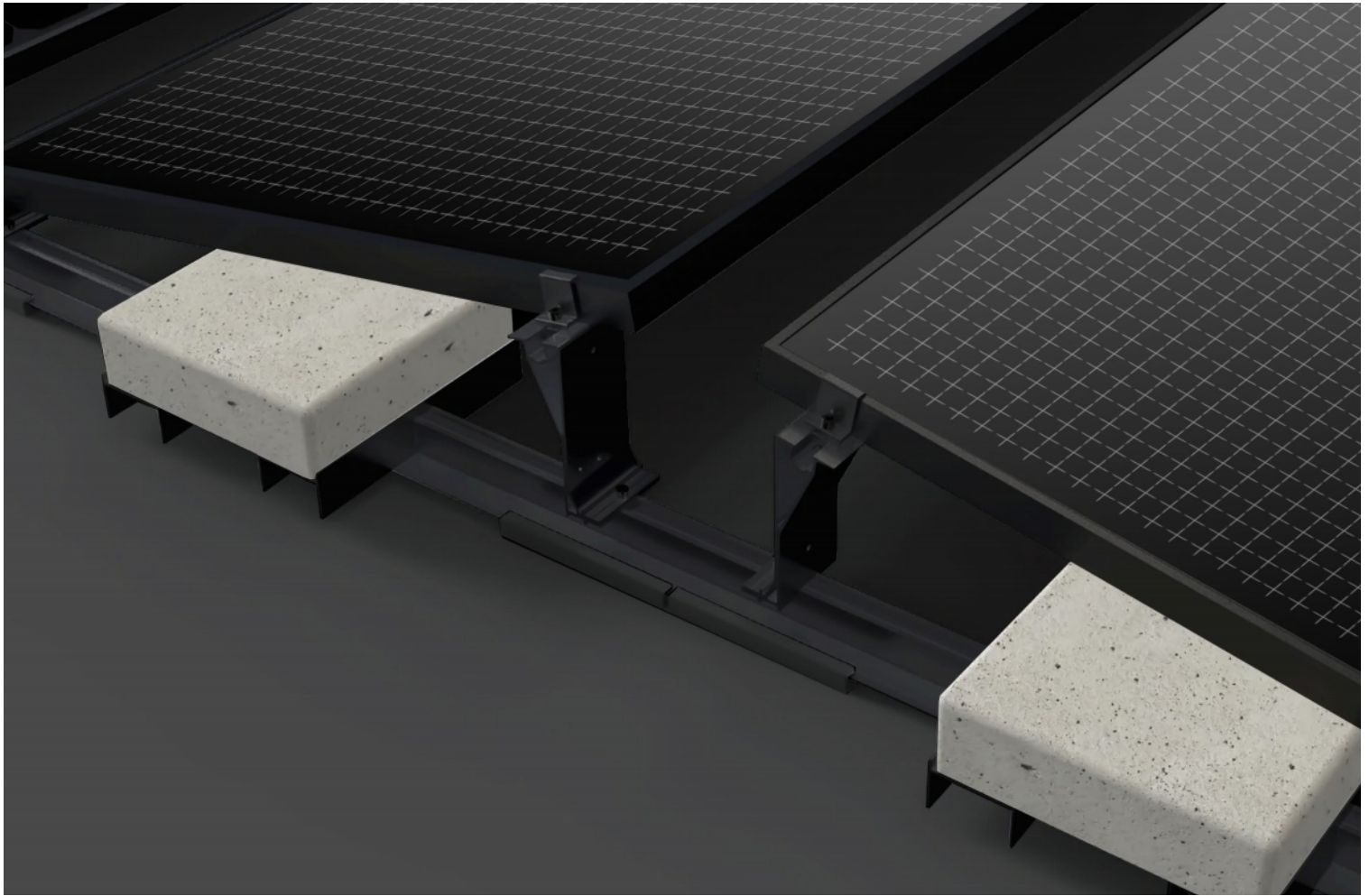
6
S-FIX-EC BLACK



7
S-FIX-SW2-FL BLACK



8
S-FIX-SW2-BL BLACK



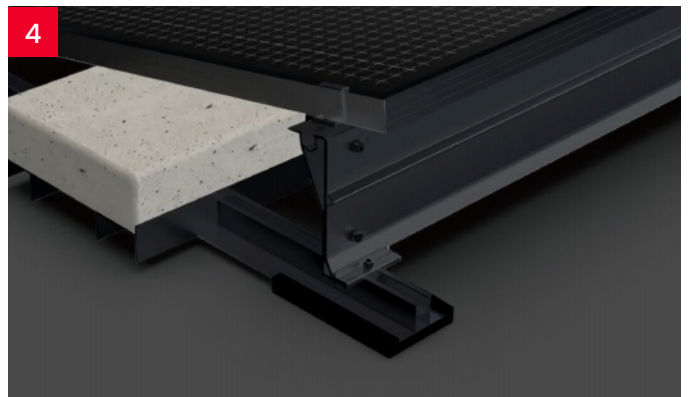
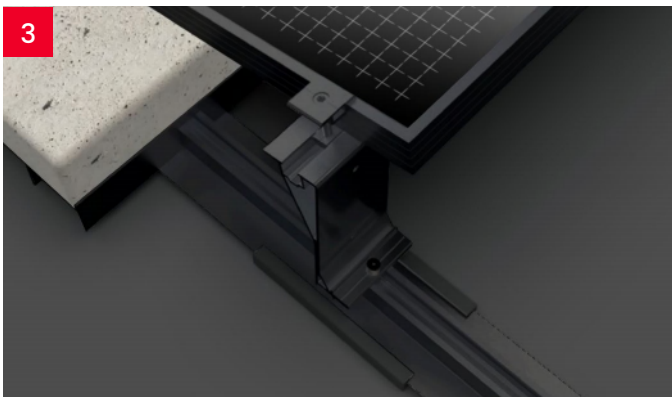
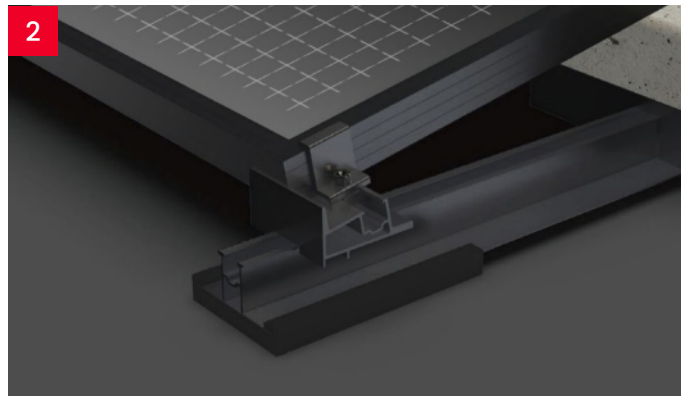
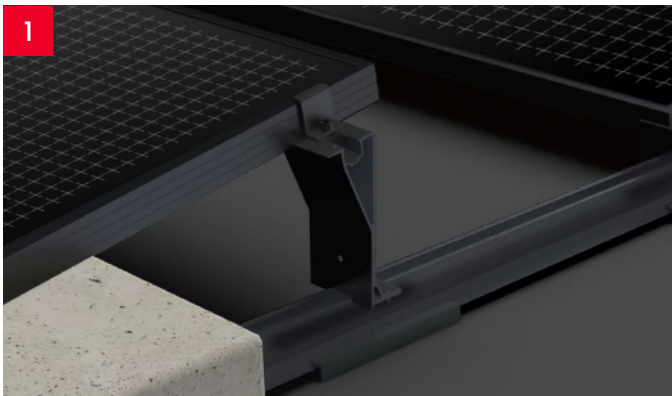
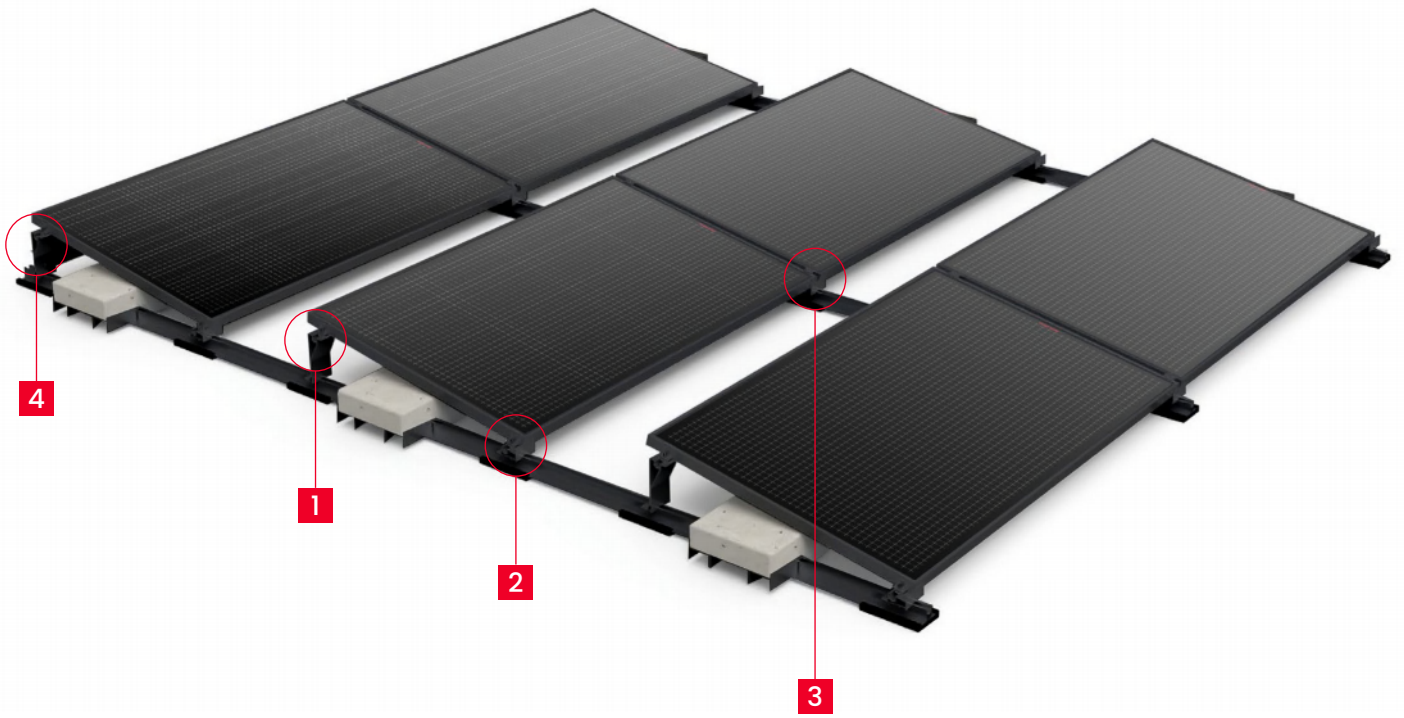


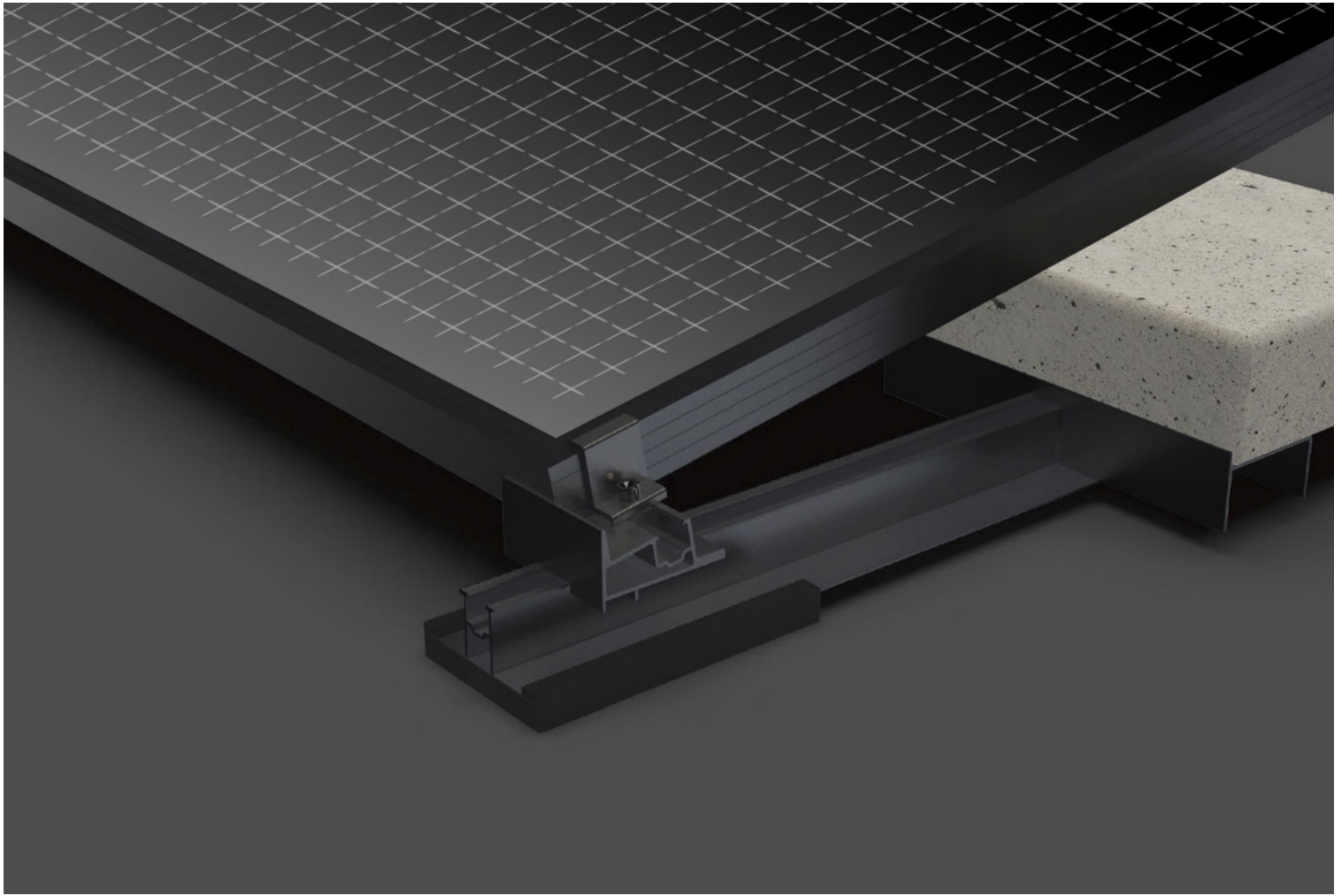
> S-FIX S-BS-10D

- Better panel output
- The S-FIX S S-BS-10D is for solar PV to be fast and easily installed on a flat roof with 10 tilt degree inclination.
- All parts are made of extruded aluminum, with stainless steel 304 fasteners
- EPDM foam tape is installed at the bottom of the system, separated the roof and system.
- EPDM foam tape provides better friction and compensates for the height difference when the roof is uneven.

TECHNICALFEATURES:

Product name	S-BS-10D
Application	Flat roof
Tilt	10°
System Material	extruded aluminum profile 6005 T5
Fastener material	Stainelss steel 304
Finish	Anodized
Module orientation	Landscape





swiss solar QUALITY
TECHNOLOGY



SWISS SOLAR AG
Bahnhofstrasse 21 | 6300 Zug | Switzerland
info@swissenergy-solar.ch | www.swissenergy-solar.ch

